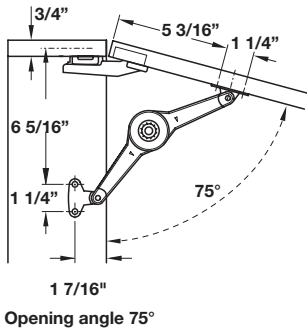
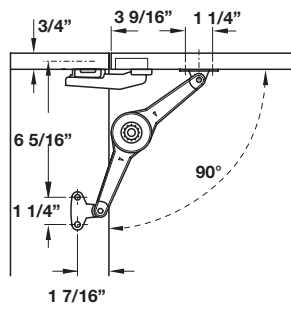


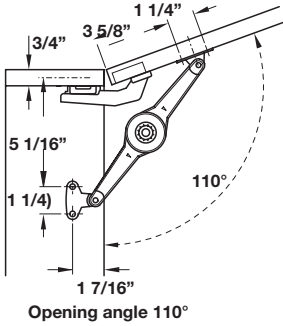
Duo Standard Complete Set



Opening angle 75°

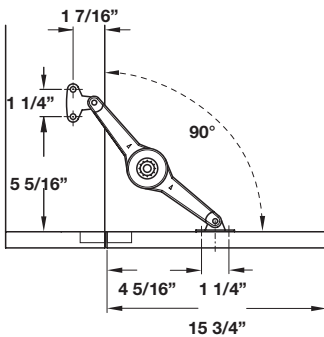


Opening angle 90°

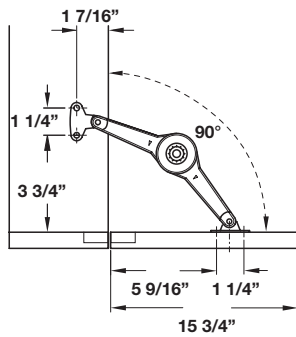


Opening angle 110°

Installation as flap stay

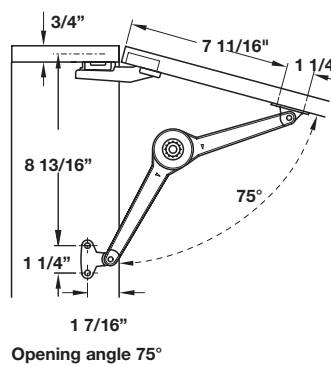


Separate catch required

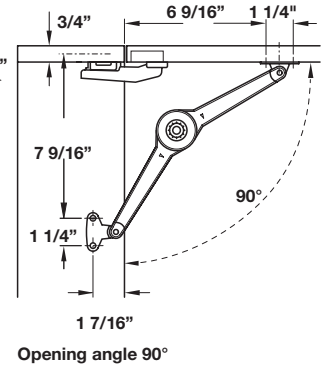


No separate catch required
Space requirement for fitting inside the cabinet when the door is being closed: 130 mm (5 1/8") from front edge of cabinet

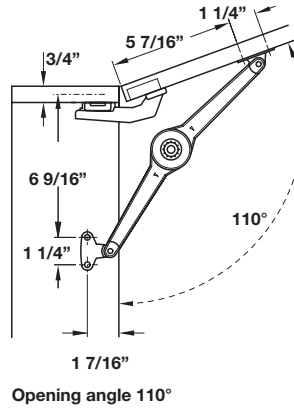
Duo Forte Complete Set



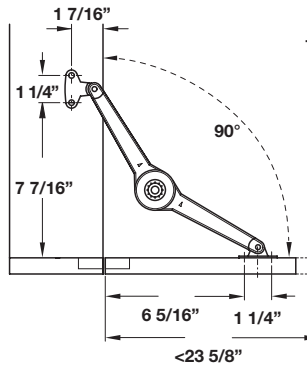
Opening angle 75°



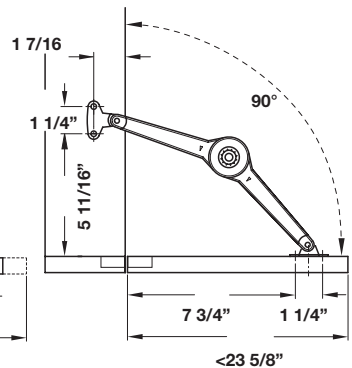
Opening angle 90°



Opening angle 110°



Separate catch required



No separate catch required
Space requirement for fitting inside the cabinet when the door is being closed: 175 mm (6 7/8") from front edge of cabinet